



Frontier of Underwater Technology

DSME UTech

Underwater Multi-Directional Video Camera System [C-220M]

Features

- Portable System
- Integrated Six High Sensitivity Color Video Cameras
- Low Power Consumption

Applications

- Fast Video Inspection of Ocean, River, Lake and Dam



CETRAX SYSTEMS LTD.

Hilton Fold, Peterculter, Aberdeen, AB14 0LT, UK

web: www.cetrax.com

email: info@cetrax.com

Underwater Multi-Directional Video Camera System [C-220M]

SPECIFICATIONS

Underwater Camera Module

- Aluminum (A6061)
- Construction
 - ▶ Impact Resistance Aluminum Housing
 - ▶ Hard Anodized
 - ▶ 6 Camera Ports
 - Vertical 1 set
 - Horizontal 5 set (slope of 50°)
 - ▶ 6 Built-in LED Lights
 - High Intensity LED (56 elements each per camera)
 - ▶ Dimensions
 - Maximum Diameter : $\varnothing 350$ mm
 - Minimum Diameter : $\varnothing 160$ mm
 - Height : 257 mm
 - Slope : 50°
 - ▶ Weight (in air) : 20.5 kg
 - ▶ CCD
 - 1/3 inch Color CCD
 - 410 K. 0.5 Lux. 520 TV Line
 - ▶ Light : 6 Channel High Intensity LEDs
 - ▶ Operating Depth : 100 m Max.
 - ▶ Depth Sensor : $\pm 0.5\%$ Full Scale

[Transit Case]

- Watertight Hard Case

Deck Control Unit

- Size : 490×380×185 (mm)
- Weight : 13 kg
- Weather-Tight Portable PC System
- Monitor : High Luminance Color LCD 15" Fitted
- USB, LAN Interface
- Power : 24 VDC, 120 W Max.
- Battery Pack : 24 VDC, 26 Ah

[Position Tracking]

- Nested GPS / DGPS Navigation

Softwares

- Operating System : Windows XP professional

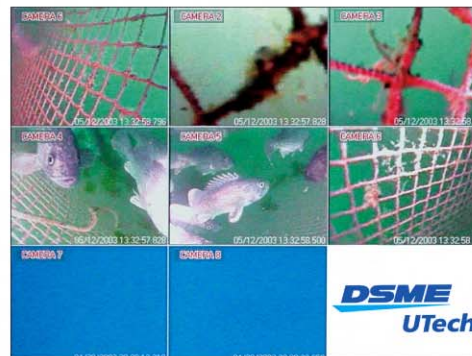
[Video Camera S/W]

- All Channels Recording
- Replay Mode
- MPGE4 Compressoin Technology
- Maximum 180 FPS at NTSC
- Display and Save GPS and Depth Data
- File Backup : Convert and Save to AVI file
- Image Capture function

Towing Cable

- User Selectable Length Up To 100 m
- Polyurethane Jacket
- Terminations
- 6-CH. 75 Ohm Coaxial
- Braided Aramid Fiber Yarn
- Portable Cable Reel with Slip Ring

SAMPLE IMAGES

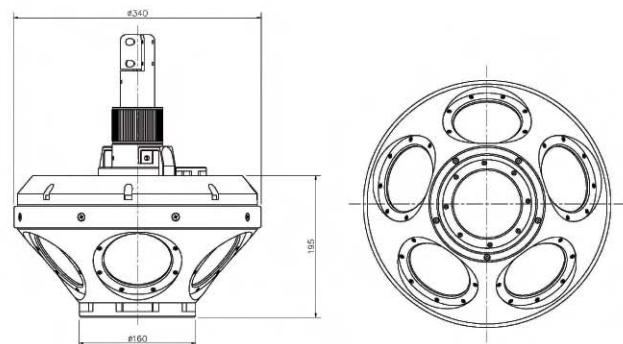


Fish Farm



Seabed

DRAWING



DSME

Frontier of Underwater Technology **UTech**